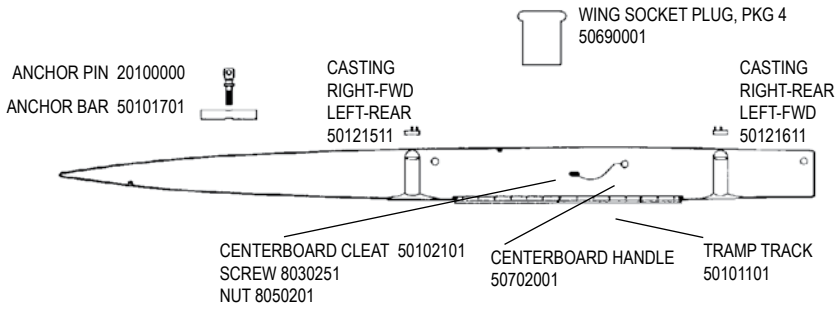
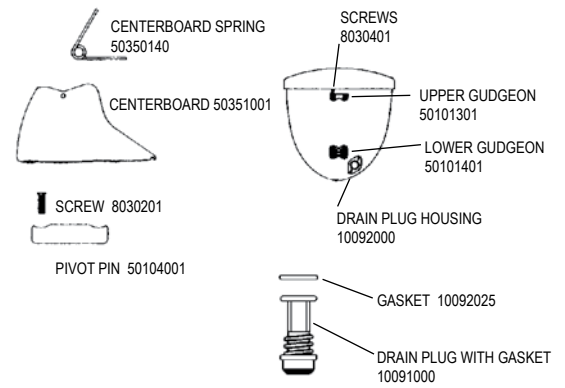


HOBIE 17 / 17 SPORT

REPLACEMENT HULL WHITE - LEFT 50101001
 REPLACEMENT HULL WHITE - RIGHT 50102001



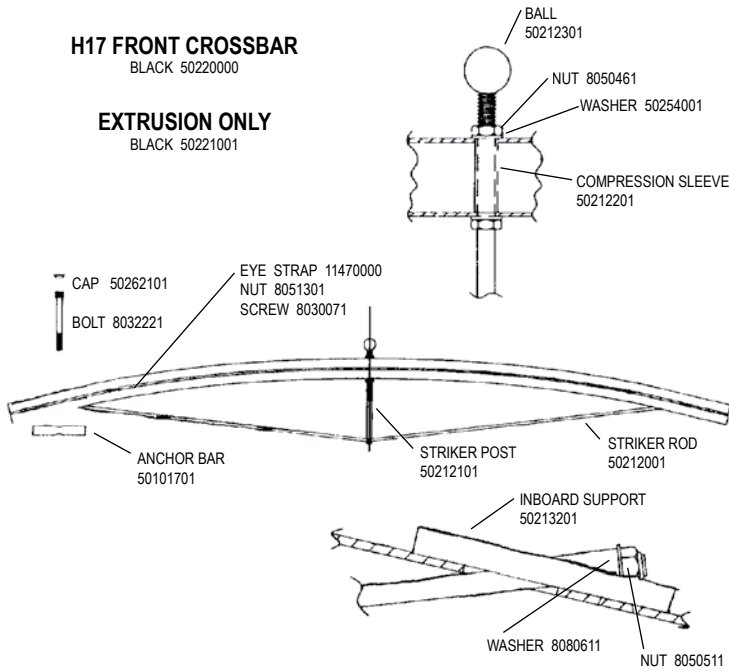
H17 HULL/DECK



H17 FRONT CROSSBAR

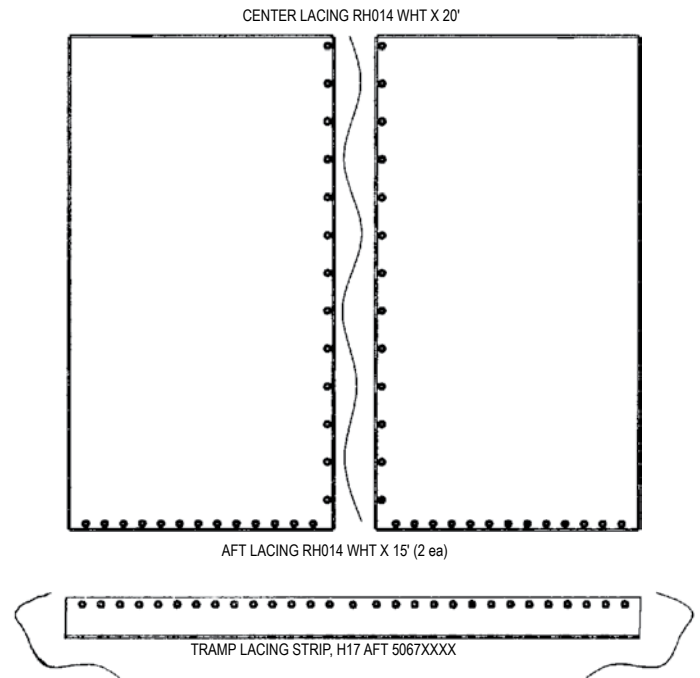
BLACK 50220000

EXTRUSION ONLY
 BLACK 50221001



H17 TRAMPOLINE

COMPLETE TRAMPOLINES (Does not include lace line)
 5067XXXX
 (XXXX = Color / See parts list for available options)



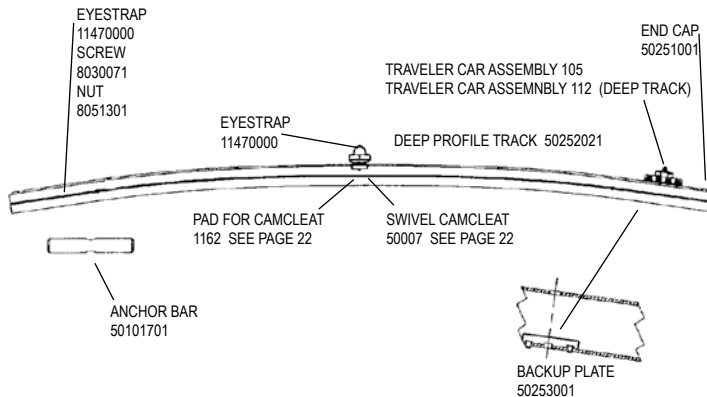
H17 REAR CROSSBAR ASSEMBLY

BLACK 50260000

CAP 50262101
 BOLT 8032221

EXTRUSION
 BLACK 50261001

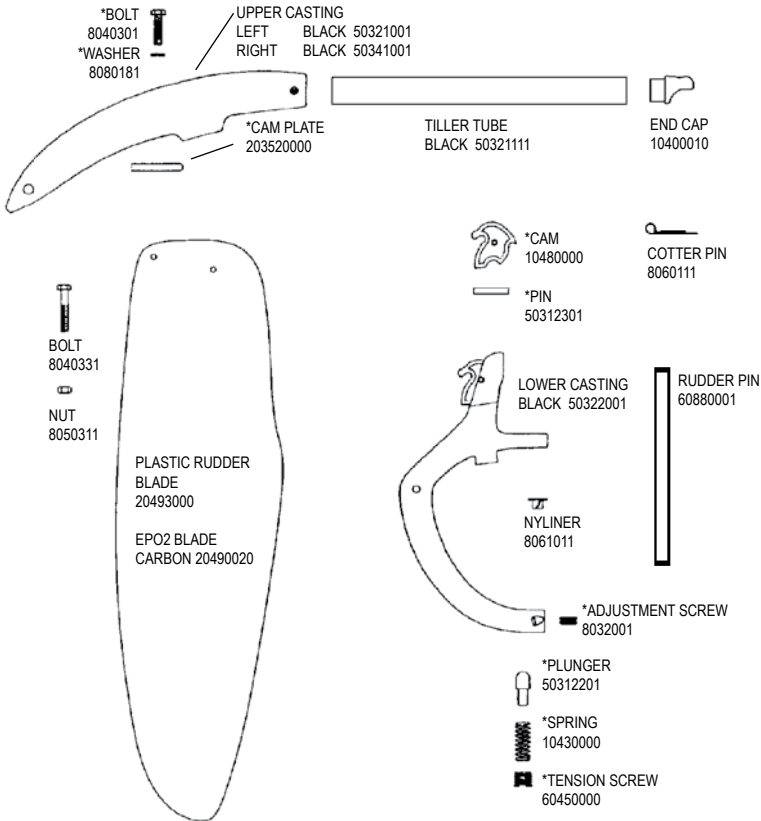
NOTE: ALL HOBIE 17 MODELS SINCE 1995
 HAVE A DEEP PROFILE TRAVELER TRACK THAT
 ACCEPTS THE 106 OR 112 TRAVELER CAR



To order from your nearest Hobie Cat dealer
 U.S.A. hobiecat.com 1-800-HOBIE-49
 Australasia hobiecat.com.au 1-800-4-Hobie

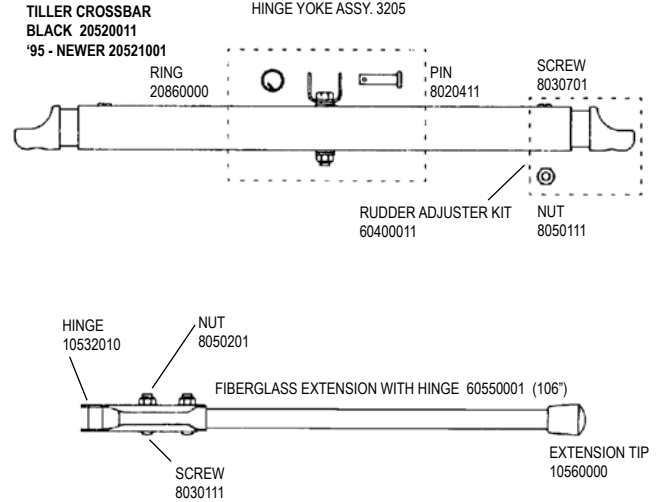
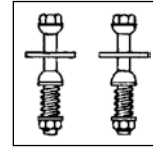
H17 RUDDER ASSEMBLY

* = SUB ASSEMBLY PART / INCLUDED WITH CASTING



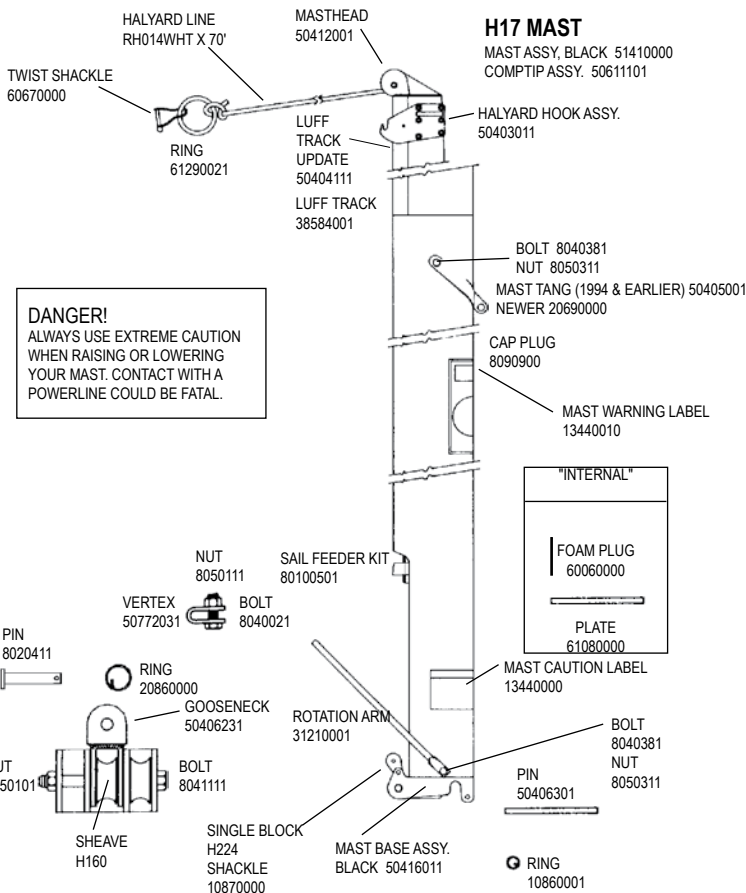
H17 TILLER

TILLER CONNECTOR KIT 11520005



H17 MAST

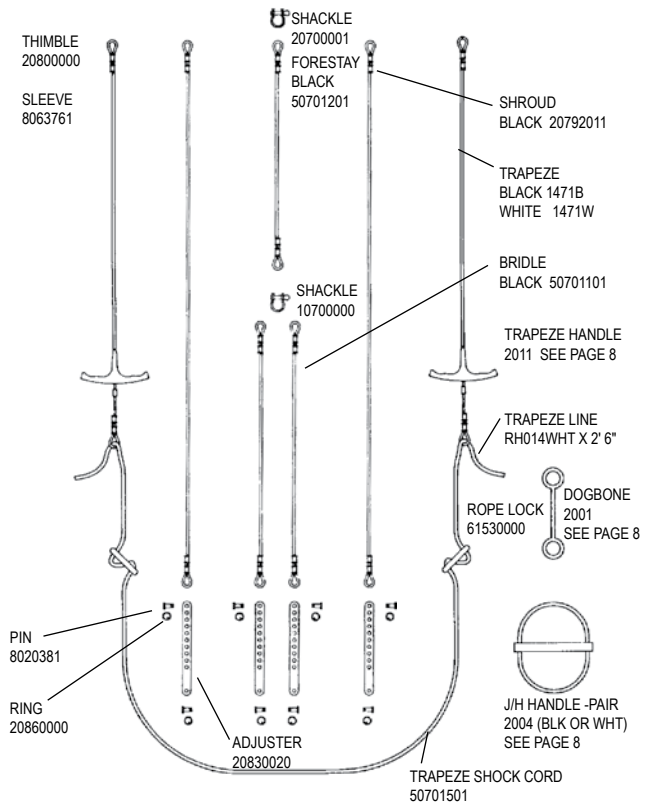
MAST ASSY. BLACK 51410000
COMPTIP ASSY. 50611101



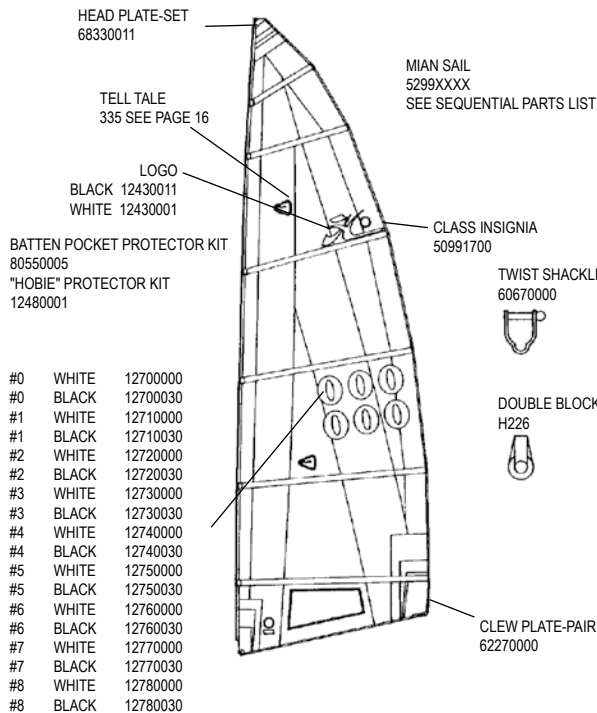
DANGER!
ALWAYS USE EXTREME CAUTION WHEN RAISING OR LOWERING YOUR MAST. CONTACT WITH A POWERLINE COULD BE FATAL.

H17 WIRES

(See page 55 for 17 Sport-Specific Wires)



H17 SAIL

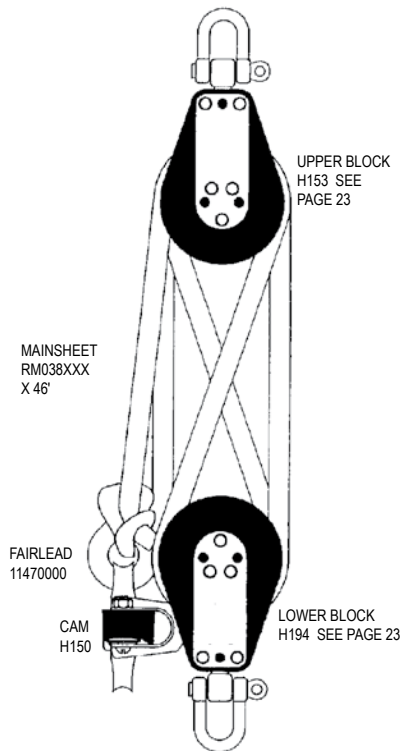


DOWNHAUL LINE
RH316WHT X 5'

SAIL BAG
21310000

BATTEN TIE
RH112WHT X 18"

H17 BLOCK SET



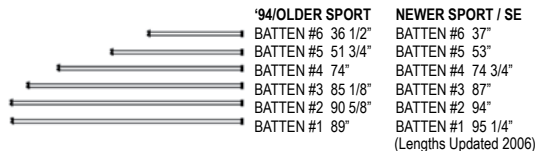
H17 Rivet Guide

() indicates quantity needed to fasten part

Mast	
Head	8010131 (2)
Halyard Hook	8011231 (3)
Base	8010131 (2)
Rear Crossbar	
Swivel Jammer	8010201 (1)
	8031501 (2)
	8031231 (2)
	8080011 (1)
	8050801 (1)
Dead Eye	8010181 (4)
Back Up Plate	8010201 (4)
Track	8010201 (44)
Hull	
Trampoline Track	8010121 (9)
(backup washers required on above,61360000)	
Boom	
End Cap (gooseneck)	8010131 (2)
Block Hanger	8010181 (4)
End Cap	8010131 (2)
Rudder (Upper Casting)	
Casting	8011231 (4)
End Cap	8010131 (2)
Sail Hardware	
Headboard	8010020 (16)
Main Clew Plate	8010020 (10)
Batten Pocket	8010020 (4)
Jib Clew Plate	8010020 (6)
(above rivets require setting machine which is not available in a hand tool)	
Wing	
End Cap	8010051 (1)
Castings	8010131 (8)
Forward Cross Bar - Sport	
Swivel Cam Cleats	8010131 (4)

H17 / 17 SPORT BATTENS

(FOR INDIVIDUAL BATTENS SEE UNIVERSAL BATTENS ON PAGE 14)



H17 WINGS

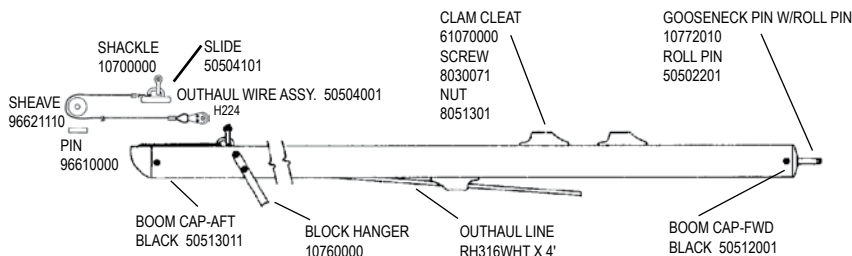
SET W/O TRAMPOLINES
50650000



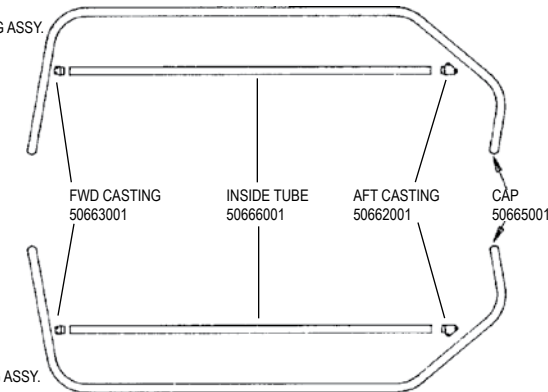
WING TRAMP SET
5065XXXX
(XXXX = Color / See parts list for available options)

H17 BOOM

BLACK 50510000



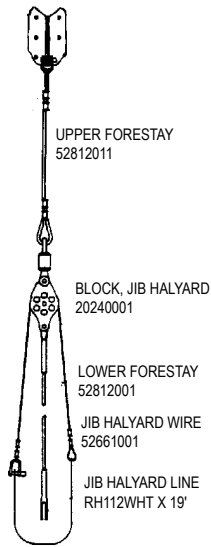
RIGHT-WING ASSY.
50680001



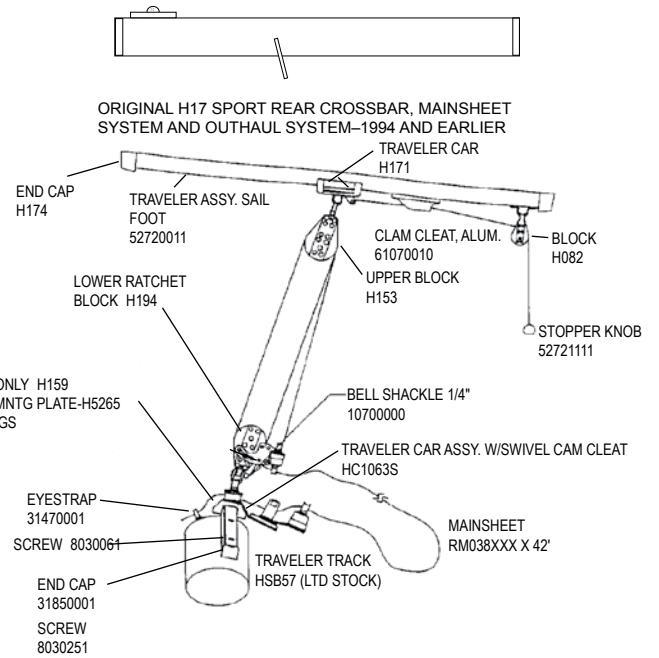
HOBIE 17 SPORT SPECIFIC

NOTE: WHERE A SPECIFIC ITEM IS NOT IDENTIFIED, USE THE STANDARD HOBIE 17 LINE DRAWINGS.

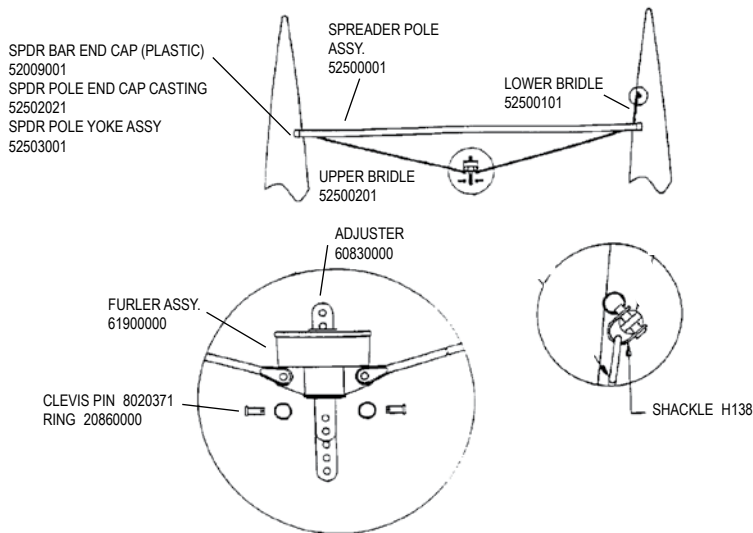
H17 SPORT FORESTAY



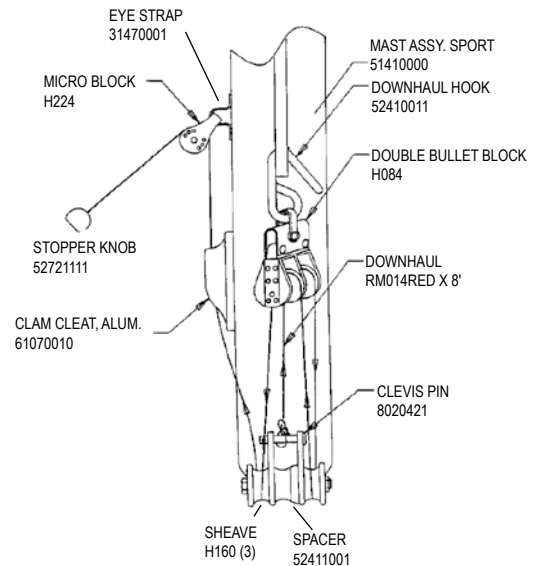
SPORT BOOMLET ASSEMBLY (NEWER, 95 - CURRENT) 52722011



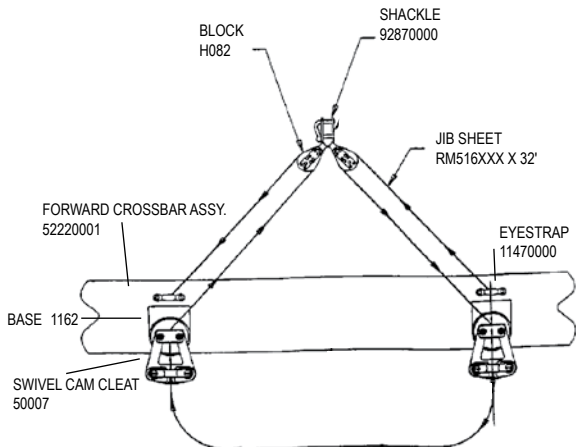
H17 SPORT SPREADER POLE & FURLER



H17 SPORT MAST ASSY. & DOWNHAUL



H17 SPORT FRONT CROSSBAR



To order from your nearest Hobie Cat dealer
U.S.A. hobiecat.com 1-800-HOBIE-49
Australasia hobiecat.com.au 1-800-4-Hobie